

800PB/G - Coupling connector for 480TB/G, 484TB/G and 489TB/G, EPDM

Contact

Sales contact
Phone: +41 41 783 18 18
info@mediumVOLTAGE.ch

800PB/G - EUROMOLD® Coupling connector for 480TB/G, 484TB/G and 489TB/G, EPDM, up to 42 kV - 630 A/1250 A

DESCRIPTION

Application

Separable coupling connector 800PB/G for dual cable arrangement. It has been designed to be used with 480TB/G, 484TB/G or 489TB/G separable tee connector. The cable arrangement might be extended by multiple coupling connectors.

Technical characteristics

- A thick conductive EPDM jacket provides a total safe to touch screen.
- For use with test rod 800TR/800TR-A.
- Each separable connector is tested for AC withstand and partial discharge prior to leaving the factory.

Specifications and standards

The 800PB/G coupling connector meets the requirements of CENELEC HD 629.1. ATEX version can be delivered on request.



EUROMOLD®

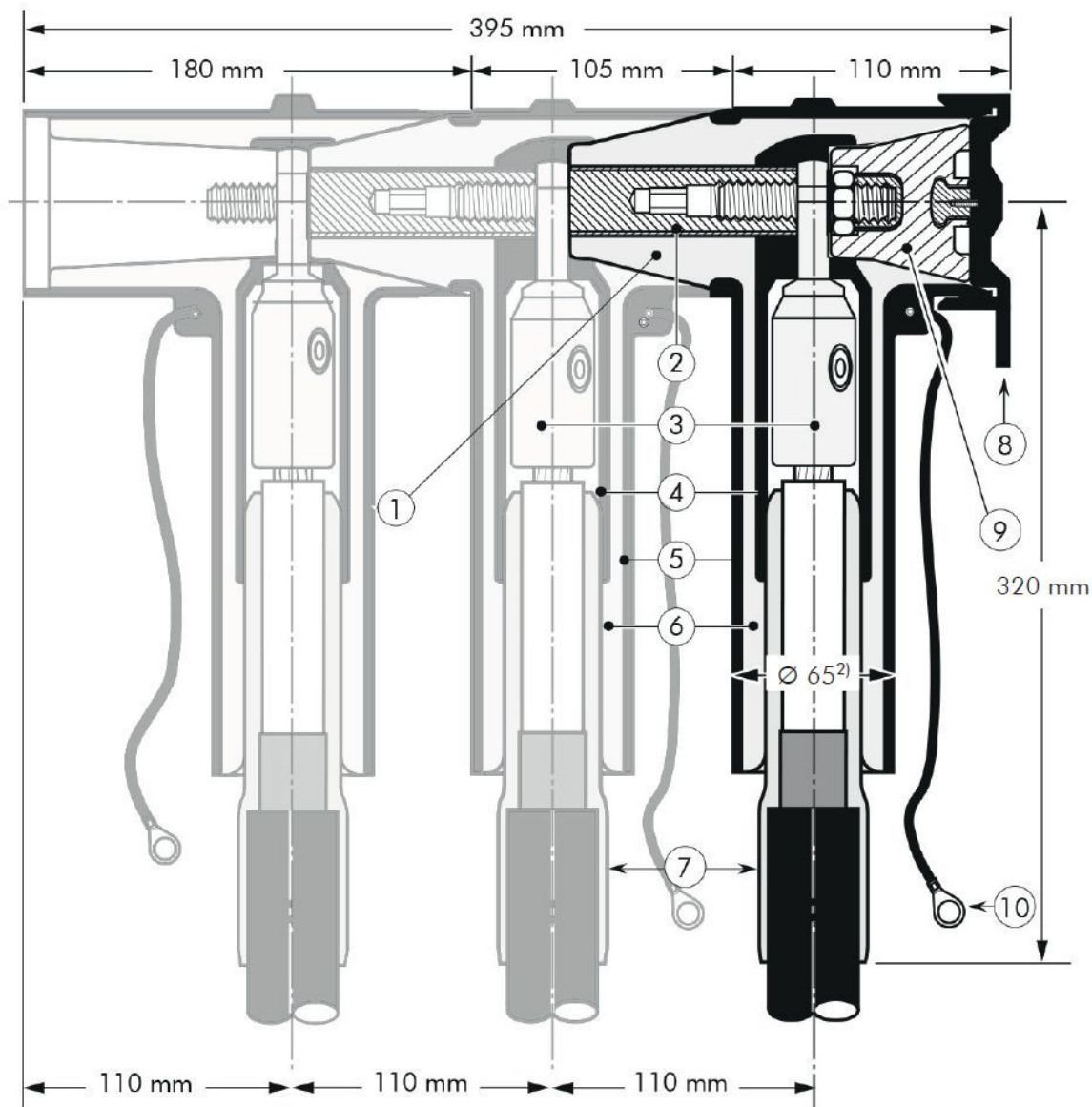
STANDARDS

International
CENELEC HD 629.1

All drawings, designs, specifications, plans and particulars of weights, size and dimensions contained in the technical or commercial documentation of mediumVOLTAGE is indicative only and shall not be binding on mediumVOLTAGE or be treated as constituting a representation on the part of mediumVOLTAGE.

Page 1 / 3

DRAWING 800PB



(K)(M)(P) 480TB/G (K)(M)(P) 800PB/G (K)(M)(P) 800PB/G
Compact tee connector Coupling connector Coupling connector

²) The indicated diameter is a die dimension. Depending on the conductor cross-section used, a deviation of up to +5 mm is possible.

800PB/G - Coupling connector for 480TB/G, 484TB/G and 489TB/G, EPDM

Contact
Sales contact
Phone: +41 41 783 18 18
info@mediumVOLTAGE.ch

DESIGN 800PB

1. Interface designed to fit 480TB/G, 484TB/G or 489TB/G tee connector
2. Bus for 800PB/G
3. Bolted or crimp conductor contact
4. Conductive EPDM insert
5. Conductive EPDM jacket
6. Insulating EPDM layer moulded between the insert and the jacket
7. Cable reducer
8. Conductive EPDM cap
9. Basic insulating plug (with voltage detection point, standard from 30 kV)
10. Earth lead

The screen break design enables cable outer sheath testing without removing or dismantling the connector.

TECHNICAL DATA 800PB

Separable connector type	Nominal voltage U_0/U (kV)	Current I_n (A)	Conductor cross-section (mm ²)	
			min.	max.
800PB/G	6/10	630/1250 ¹⁾	25	300
K800PB/G	12/20	630/1250 ¹⁾	35	300
M800PB/G	18/30	630/1250 ¹⁾	50	300
P800PB/G	20.8/36	630/1250 ¹⁾	50	240

¹⁾ When installed on appropriate equipment bushing.

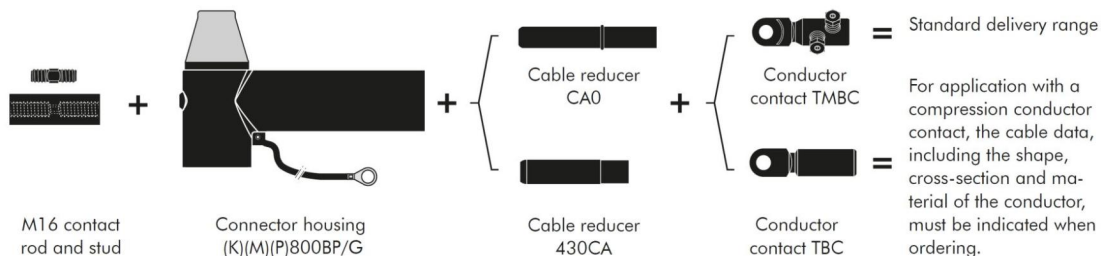
KIT CONTENTS 800PB

The complete (K)(M)(P)800PB/G coupling connector kit comprises 3 x the following components.

The kit also comprises:

- + installation instructions
- + silicone grease
- + wipers
- + screen wire cable lugs

KIT 800PB



All drawings, designs, specifications, plans and particulars of weights, size and dimensions contained in the technical or commercial documentation of mediumVOLTAGE is indicative only and shall not be binding on mediumVOLTAGE or be treated as constituting a representation on the part of mediumVOLTAGE.

Page 3 / 4